

4.0MP AI Network camera LUNA PRO serie

GLE-P4040 4.0MP 4.0mm lens Eyeball camera (*vare nr. 22442*)

GLE-P4028 4.0MP 2.8mm lens Eyeball camera (*vare nr. 22440*)

GLE-P4040B *Black* 4.0MP 4.0mm lens Eyeball camera (*vare nr. 22342*)

GLE-P4028B *Black* 4.0MP 2.8mm lens Eyeball camera (*vare nr. 22340*)



Features

- ✓ High quality image with 4MP, 1/3" CMOS **LUNA** sensor
- ✓ 4MP (2688*1520)@ 30/25fps; 4MP (2560*1440)@ 30/25fps; 3MP (2304*1296) @ 30/25fps; 2MP (1920*1080) @30/25fps
- ✓ Ultra 265, H.265, H.264, MJPEG, **ONVIF** (Profile S, Profile G, Profile T), API ,SDK
- ✓ Intelligent perimeter protection, include cross line, intrusion, enter area, leave area detection
- ✓ Smart intrusion prevention significantly reduce false alarm caused by leaves, birds and lights etc., accurately focus on human and, motor vehicle and non-motor vehicle
- ✓ Intelligent IR overexposure control
- ✓ Intelligent People Flow Counting and Crowd Density Monitoring
- ✓ LUNA technology ensures ultra-high image quality in low illumination environment
- ✓ 120dB true WDR technology enables clear image in strong light scene
- ✓ Support 9:16 Corridor Mode
- ✓ Built-in Mic, Supports 256 G Micro SD card
- ✓ Smart IR, up to 30m IR distance
- ✓ IP67 protection

Specifications

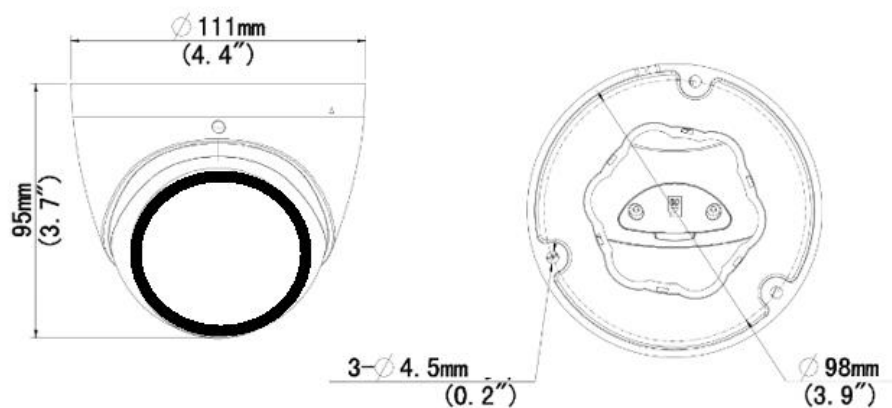
Camera	Description
Resolution	4MP
Sensor	1/3.0" CMOS LUNA serie
Min. Illumination	Colour: 0.002 lux (F1.6, AGC ON) 0 Lux with light
Day/Night	IR-cut filter with auto switch (ICR)
Shutter	Auto/Manual, 1 ~ 1/100000s
Adjustment angle	Pan: 0° ~ 360° , Tilt: 0° ~ 80° , Rotate: 0° ~ 360°
S/N	>52dB
WDR	120dB
Lens	Description
Lens type	GLE-P4028 2.8mm GLE-P4040 4.0mm
Iris Type	Fixed
Iris	F1.6
Field of View (H)	GLE-P4028 :101.1° GLE-P4040 :83.7°
Field of View (V)	GLE-P4028 :55.3° GLE-P4040 :44.9°
Field of View (D)	GLE-P4028 :111.1° GLE-P4040 :89.2°
Zoom	Fixed
DORI	Description
DORI Distance (Lens)	GLE-P4028 2.8mm GLE-P4040 4.0mm
DORI Distance (Detect)	GLE-P4028 :63.0m GLE-P4040 :90.0m
DORI Distance (Observe)	GLE-P4028 :25.2m GLE-P402840 :36.0m
DORI Distance (Recognize)	GLE-P4028 :12.6m GLE-P4040 :18.0m
DORI Distance (Identify)	GLE-P4028 :6.3m GLE-P4040 :9.0m
Illuminator	Description
Illumination Distance(IR)	30m smart IR
Wavelength	850nm
Light On/Off Control	Auto/Manual
Video	Description
Video Compression	Ultra 265; H.265; H.264; MJPEG

H.264 code profile	Baseline profile, Main profile, High profile
Frame Rate	Main Stream: 4MP (2688*1520), Max 30fps;4MP (2560*1440), Max 30fps; 3MP (2304*1296), Max 30fps; 1080P (1920*1080), Max 30fps; Sub Stream: 720P (1280*720), Max 30fps; D1 (720*576), Max 30fps; 640*360,Max 30fps; Third Stream: D1 (720*576), Max 30fps; 640*360,Max 30fps; 2CIF(704*288), Max 30fps; CIF(352*288), Max 30fps
Video Bit Rate	128 Kbps~16 Mbps
U-code	Support
OSD	Up to 8 OSDs
Privacy Mask	Up to 4 areas
ROI	Up to 8 areas
Video stream	Triple streams
Image	Description
White Balance	Auto;Outdoor;Fine Tune;Sodium Lamp;Locked;Auto2
Digital noise reduction	2D/3D DNR
Smart IR	Support
Flip	Normal; Flip Vertical; Flip Horizontal;180° ;90° Clockwise;90° Anti-clockwise
Dewarping	N/A
HLC	Support
BLC	Support
Defog	Digital Defog
Image stabilization	N/A
Low illumination characteristics	LUNA CCD
Intelligent	Description
Smart intrusion prevention	Support false alarm filtering: Cross line detection, Intrusion detection, Enter area detection, Leave area detection
Recognition	
Statistical Analysis	People counting;support people flow counting and crowd density monitoring
Events	Description
Basic Detection	Motion detection;Ultra motion detection;Tampering alarm;Audio detection
General Function	Watermark;IP Address Filtering;Access Policy;ARP Protection;RTSP Authentication;User Authentication;HTTP Authentication
Audio	Description
Audio Compression	G.711U;G.711A
Audio Bitrate	64 Kbps
Two-way Audio	N/A
Suppression	Support
Sampling Rate	8KHZ
Storage	Description
Edge Storage	Micro SD, up to 256 GB
Network Storage	ANR;NAS(NFS)

Network	Description
Protocols	IPv4;IPv6;IGMP;ICMP;ARP;TCP;UDP;DHCP;RTP;RTSP;RTCP;RTMP;DNS;DDNS;NTP;FTP;UPnP;HTTP;HTTPS;SMTP;SSL/TLS;802.1x;SNMP;PPPoE
Compatible Integration	ONVIF (Profile S, Profile G, Profile T). API, SDK
User/Host	Up to 32 users. 3 user levels: administrator, common user and operator
Security	Password protection;Strong password;HTTPS encryption;Export operation logs;Basic and digest authentication for RTSP;Digest authentication for HTTP;TLS 1.2;WSSE and digest authentication for ONVIF
Client	
Web Browser	Plug-in required live view: IE 10 and above, Chrome 45 and above, Firefox 52 and above, Edge 79 and above;Plug-in free live view: Chrome 57.0 and above, Firefox 58.0 and above, Edge 16 and above
Interface	Description
Audio I/O	N/A
Alarm I/O	N/A
Serial Port	N/A
Built-in Mic	Support
Built-in Speaker	N/A
WIFI	N/A
Network	1 * RJ45 10M/100M Base-TX Ethernet
Video Output	N/A
Certification	Description
EMC	CE-EMC (EN 55032, EN 61000-3-3, EN IEC 61000-3-2, EN 55035) FCC (FCC 47 CFR part15 B)
Safety	CE LVD (EN 62368-1) CB (IEC 62368-1) UL/CUL (UL 62368-1, CAN/CSA C22.2 No. 62368-1)
Environment	CE-RoHS (2011/65/EU;(EU)2015/863); WEEE (2012/19/EU)
Protection	IP67 (IEC 60529)
General	Description
Power	DC 12V ±25%, PoE (IEEE 802.3af) Power consumption: Max 4.0W
Power Interface	Ø 5.5mm coaxial power plug
Dimensions	Φ 110.5 x 94.1mm (Φ 4.4” x 3.7”)
Weight	0.42kg (0.93lb)
Material	Metal
Working Environment	-30° C ~ 60° C (-22° F ~ 140° F), Humidity: ≤95% RH (non-condensing)
Storage Environment	-30° C ~ 60° C (-22° F ~ 140° F), Humidity: ≤95% RH (non-condensing)
Surge protection	4KV
Reset button	N/A
Web Client Language	20 Languages Traditional Chinese, English, Simplified Chinese, Polish, German, Russian, French, Korean, Dutch, Czech, Portuguese (Europe), Portuguese (Brazil), Japanese, Thai, Turkish, Spanish (Latin America), Spanish (Europe), Hungarian, Italian, Vietnamese

RTC	Support
Built-in DC12V output	N/A
Axis	3-Axis
Live View	Description
Maximum bitstream	20
Maximum bandwidth	50Mbps
Plugin free	Support
OSD font	lattice
OSD color	Support
OSD character number	40
3D Privacy Mask	N/A
PTZ	Description
Number of Patrol	N/A
Snow removal mode	N/A
patrol recording	N/A
Number of Presets (IPC)	N/A
3D location	N/A
other	Description
Corridor Mode	Support
Smart Function	Support
Software version	IPC_G6202

Dimensions



Accessories

GDET-108HB Bagdåse

HVID

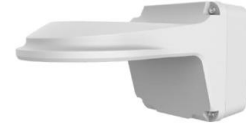


GDET-126HV Vægbeslag

HVID



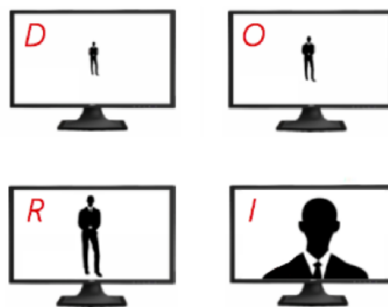
GDET-126HVB Vægbeslag med
bagdåse



What is DORI & how to use it in CCTV

In the world of CCTV, **DORI** stands for **D**etection, **O**bservation, **R**ecognition and **I**dentification.

- **Detection** - The detection level allows for reliable and easy determination of whether a person or vehicle is present.
- **Observation** - The observation level gives characteristic details of an individual, such as distinctive clothing, while allowing a view of activity surrounding an incident.
- **Recognition** - The recognition level determines with a high degree of certainty whether an individual shown is the same as someone that has been seen before.
- **Identify** - The identification level enables the identity of an individual beyond a reasonable doubt.



*Product specifications and availability are subject to change without notice.

*Despite our best efforts, technical or typographical errors may exist in this document. Guardeon cannot be held responsible for any such errors and reserves the right to change the contents of this document without prior notice.

